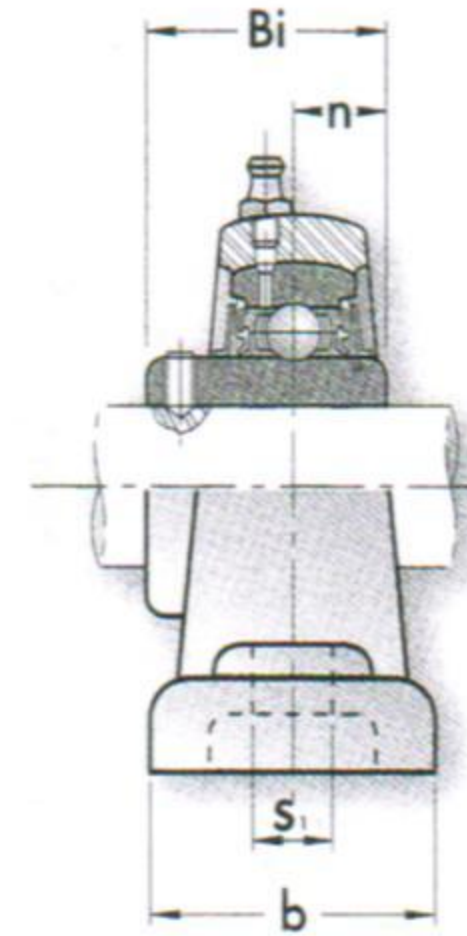
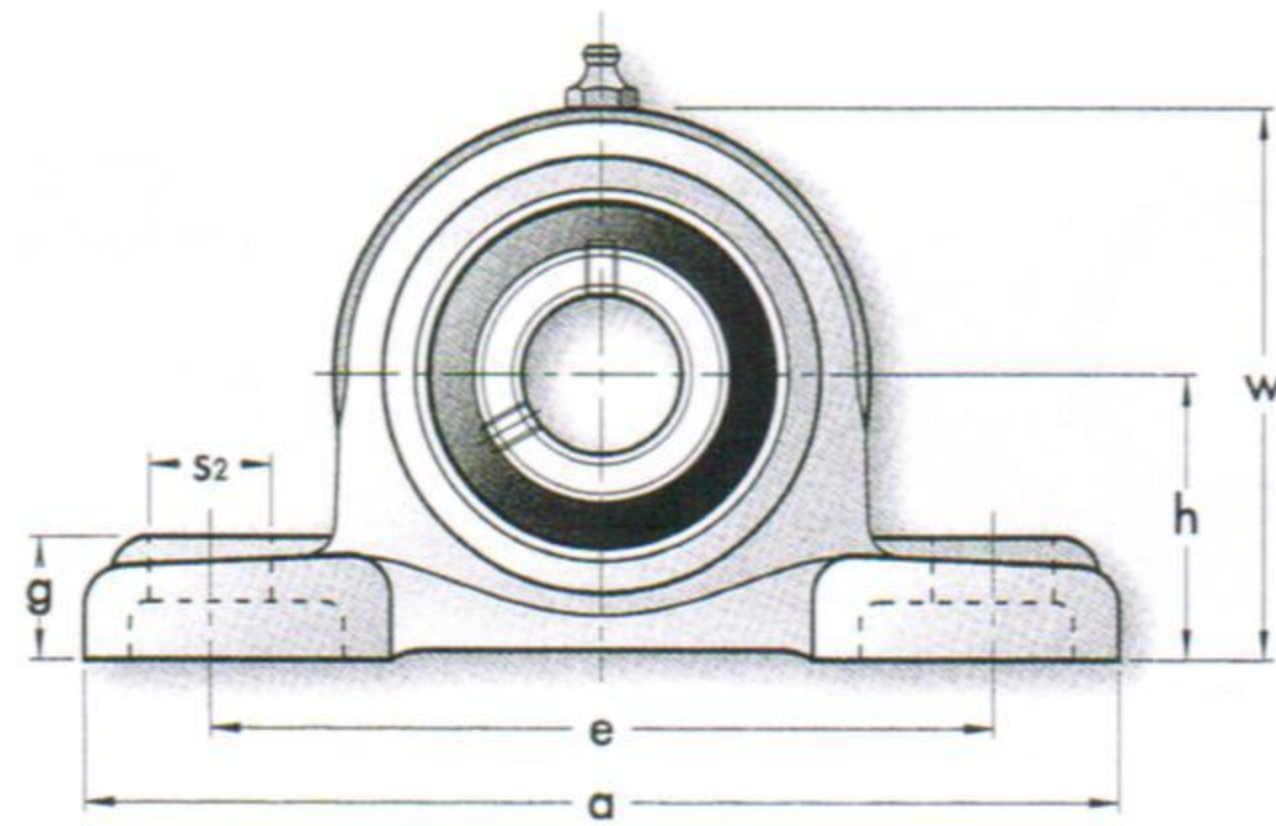


## SAECO BEARINGS

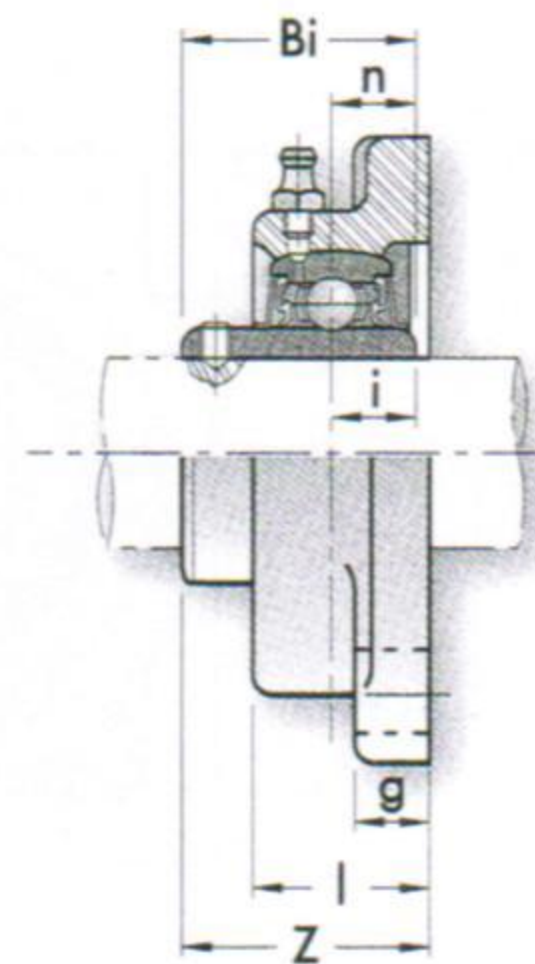
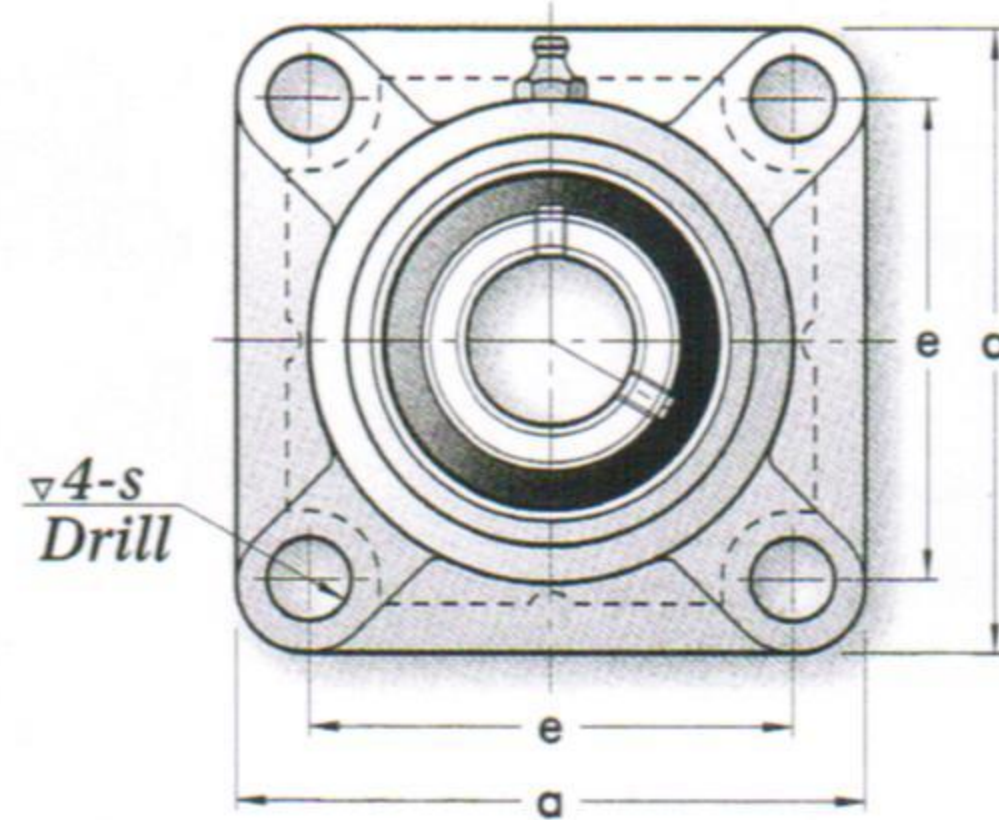
### ピロー形ユニット UCP 200



Unit.No	Shaft.Dia		Dimensions (mm)										Bolt Size	Load Rating (kgs)		Weight (kgs)
	(mm)	in	h	a	e	b	S <sub>1</sub>	S <sub>2</sub>	g	w	Bi	n		Dynamic	Static	
UCP 201	12	1/2	30.2	127	95	38	13	19	15	62	31	12.7	M10	1010	630	0.65
UCP 202	15	9/16, 5/8	30.2	127	95	38	13	19	15	62	31	12.7	M10	1010	630	0.63
UCP 203	17	11/16	30.2	127	95	38	13	19	15	62	31	12.7	M10	1010	630	0.62
UCP 204	20	3/4	33.3	127	95	38	13	19	15	64	31	12.7	M10	1010	630	0.65
UCP 205	25	7/8, 1	36.5	140	105	38	13	19	16	71	34	14.3	M10	1100	710	0.79
UCP 206	30	1 1/8, 1 3/16	42.9	165	121	48	17	21	18	84	38.1	15.9	M14	1540	1020	1.3
UCP 207	35	1 1/4, 1 3/8	47.6	167	127	48	17	21	19	94	42.9	17.5	M14	2030	1400	1.6
UCP 208	40	1 1/2, 1 9/16	49.2	184	137	54	17	21	19	100	49.2	19	M14	2300	1600	2
UCP 209	45	1 5/8, 1 3/4	54	190	146	54	17	23	20	108	49.2	19	M14	2570	1810	2.3
UCP 210	50	1 7/8, 1 15/16	57.2	206	159	60	20	24	20	114	51.6	19	M16	2760	2010	2.7
UCP 211	55	2, 2 1/8	63.5	219	171	60	20	25	22	126	55.6	22.2	M16	3400	2550	3.3
UCP 212	60	2 1/4, 2 3/8	69.8	241	184	70	20	25	25	138	65.1	25.4	M16	4100	3150	4.7
UCP 213	65	2 1/2	76.2	265	203	70	25	29	27	150	65.1	25.4	M20	4500	3500	5.6
UCP 214	70	2 3/4	79.4	266	210	72	25	30	28	156	74.6	30.2	M20	4900	3800	7.3
UCP 215	75	2 5/8, 3	82.6	275	217	74	25	30	28	162	77.8	33.3	M20	5200	4200	7.9

## SAECO BEARINGS

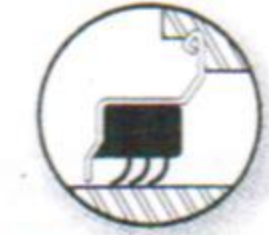
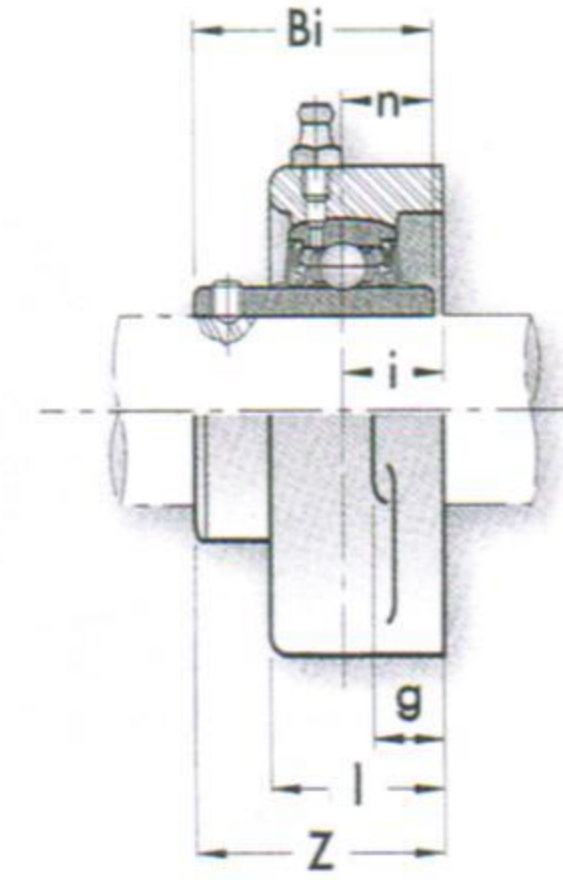
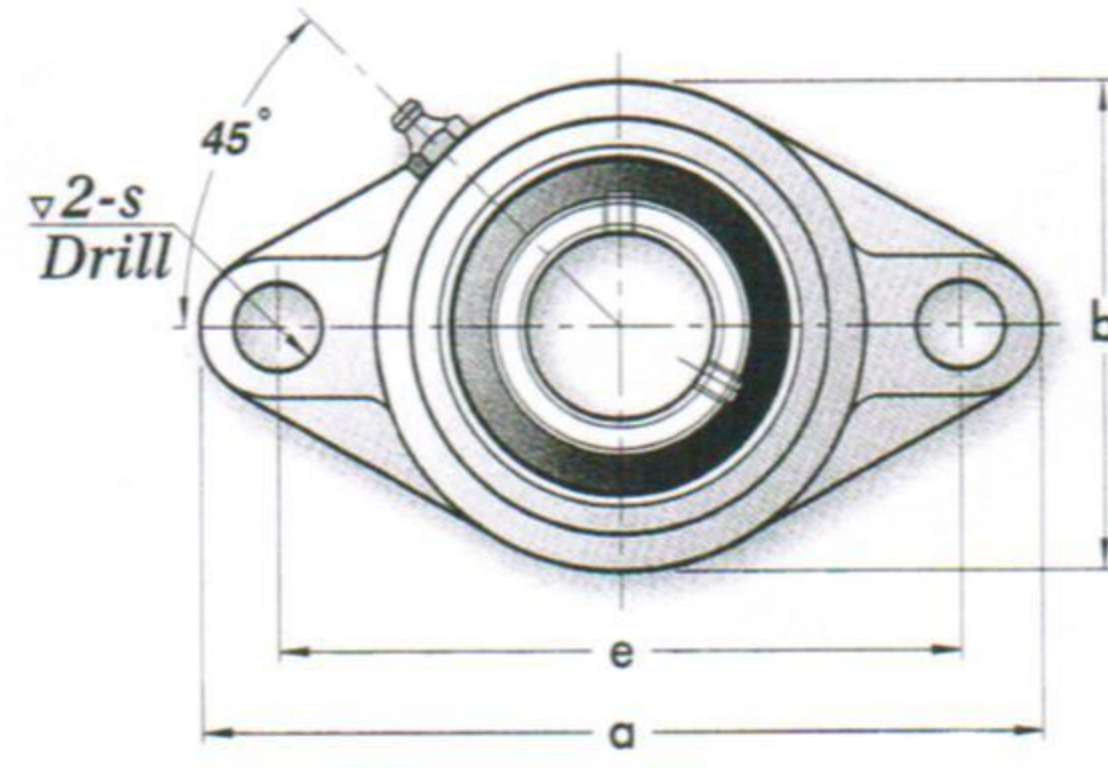
### 角フランジ形ユニット UCF 200



Unit.No	Shaft.Dia		Dimensions (mm)									Bolt Size	Load Rating (kgs)		Weight (kgs)
	(mm)	in	a	e	i	g	l	s	Z	Bi	n		Dynamic	Static	
UCF 201	12	1/2	86	64	15	12	25.5	12	33.3	31	12.7	M10	1010	630	0.64
UCF 202	15	9/16, 5/8	86	64	15	12	25.5	12	33.3	31	12.7	M10	1010	630	0.62
UCF 203	17	11/16	86	64	15	12	25.5	12	33.3	31	12.7	M10	1010	630	0.61
UCF 204	20	3/4	86	64	15	12	25.5	12	33.3	31	12.7	M10	1010	630	0.59
UCF 205	25	7/8, 1	95	70	16	14	27	12	35.7	34	14.3	M10	1100	710	0.82
UCF 206	30	1 1/8, 1 3/16	108	83	18	14	31	12	40.2	38.1	15.9	M10	1540	1020	1.1
UCF 207	35	1 1/4, 1 3/8	117	92	19	16	34	14	44.4	42.9	17.5	M12	2030	1400	1.5
UCF 208	40	1 1/2, 1 9/16	130	102	21	16	36	16	51.2	49.2	19	M14	2300	1600	2
UCF 209	45	1 5/8, 1 3/4	137	105	22	18	38	16	52.2	49.2	19	M14	2570	1810	2.4
UCF 210	50	1 7/8, 1 15/16	143	111	22	18	40	16	54.6	51.6	19	M14	2760	2010	2.5
UCF 211	55	2, 2 1/8	162	130	25	20	43	19	58.4	55.6	22.2	M16	3400	2550	3.4
UCF 212	60	2 1/4, 2 3/8	175	143	29	20	48	19	68.7	65.1	25.4	M16	4100	3150	4.6
UCF 213	65	2 1/2	187	149	30	20	50	19	69.7	65.1	25.4	M16	4500	3500	5.5
UCF 214	70	2 3/4	193	152	31	22	54	19	75.4	74.6	30.2	M16	4900	3800	6.1
UCF 215	75	2 5/8, 3	200	159	34	22	56	19	78.5	77.8	33.3	M16	5200	4200	6.9



ひしフランジ形ユニット  
UCFL 200



TRL type Seal

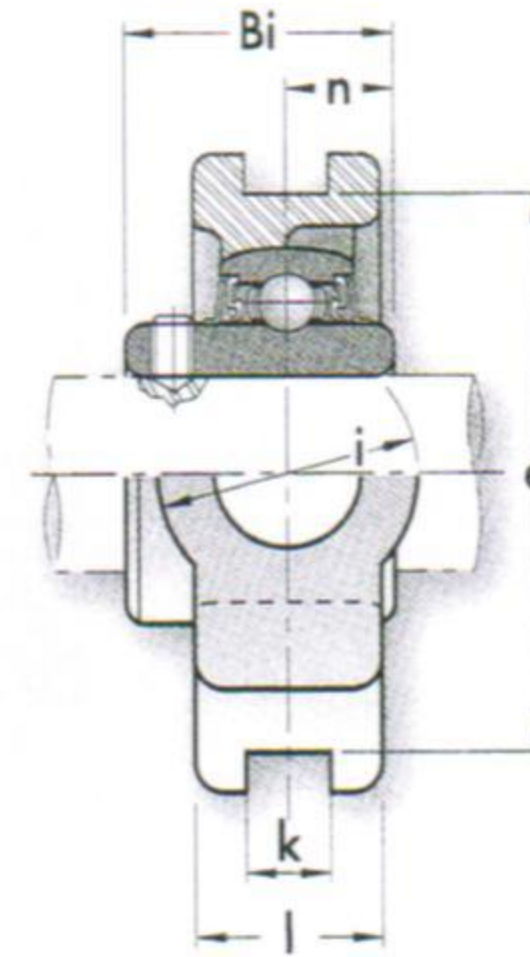
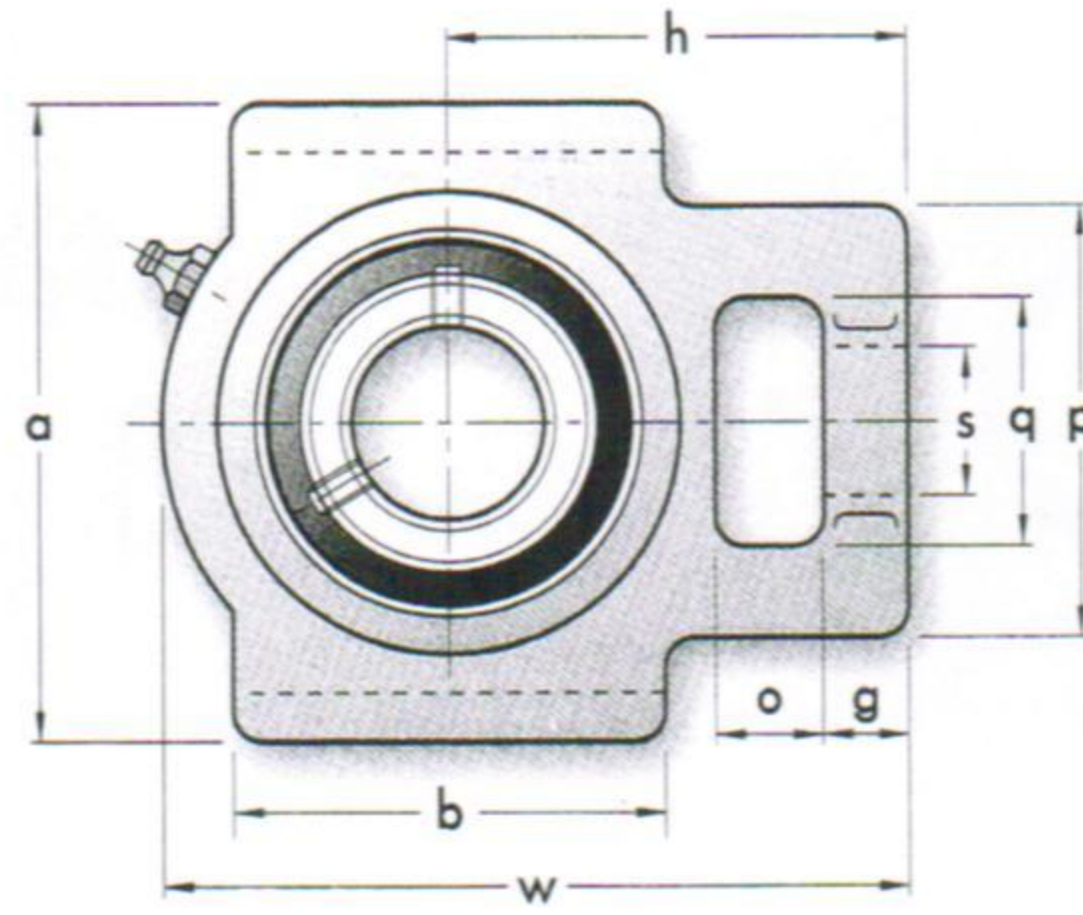


SR type Seal

Unit.No	Shaft.Dia		Dimensions (mm)										Bolt Size	Load Rating (kgs)		Weight (kgs)
	(mm)	in	a	e	i	g	l	s	b	z	Bi	n		Dynamic	Static	
UCFL 201	12	1/2	113	90	15	12	25.5	12	60	33.3	31	12.7	M10	1010	630	0.5
UCFL 202	15	9/16, 5/8	113	90	15	12	25.5	12	60	33.3	31	12.7	M10	1010	630	0.48
UCFL 203	17	11/16	113	90	15	12	25.5	12	60	33.3	31	12.7	M10	1010	630	0.47
UCFL 204	20	3/4	113	90	15	12	25.5	12	60	33.3	31	12.7	M10	1010	630	0.45
UCFL 205	25	7/8, 1	130	99	16	14	27	16	68	35.7	34	14.3	M14	1100	710	0.63
UCFL 206	30	1 1/8, 1 3/16	148	117	18	14	31	16	80	40.2	38.1	15.9	M14	1540	1020	0.93
UCFL 207	35	1 1/4, 1 3/8	161	130	19	16	34	16	90	44.4	42.9	17.5	M14	2030	1400	1.2
UCFL 208	40	1 1/2, 1 9/16	175	144	21	16	36	16	100	51.2	49.2	19	M14	2300	1600	1.6
UCFL 209	45	1 5/8, 1 3/4	188	148	22	18	38	19	108	52.2	49.2	19	M16	2570	1810	1.9
UCFL 210	50	1 7/8, 1 15/16	197	157	22	18	40	19	115	54.6	51.6	19	M16	2760	2010	2.2
UCFL 211	55	2, 2 1/8	224	184	25	20	43	19	130	58.4	55.6	22.2	M16	3400	2550	3.2
UCFL 212	60	2 1/4, 2 3/8	250	202	29	20	48	23	140	68.7	65.1	25.4	M20	4100	3150	4.1
UCFL 213	65	2 1/2	258	210	30	20	50	23	155	69.7	65.1	25.4	M20	4500	3500	5.1
UCFL 214	70	2 3/4	265	216	31	20	54	23	160	75.4	74.6	30.2	M20	4900	3800	6
UCFL 215	75	2 15/16, 3	275	225	34	20	56	23	165	78.5	77.8	33.3	M20	5200	4200	6.5



テークアップ形ユニット  
UCT 200



TRL type Seal

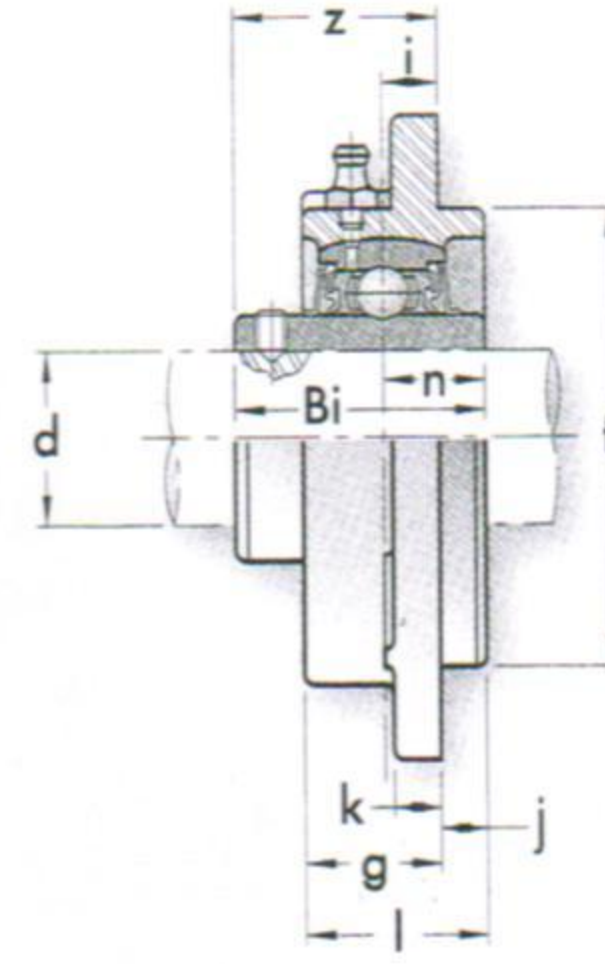
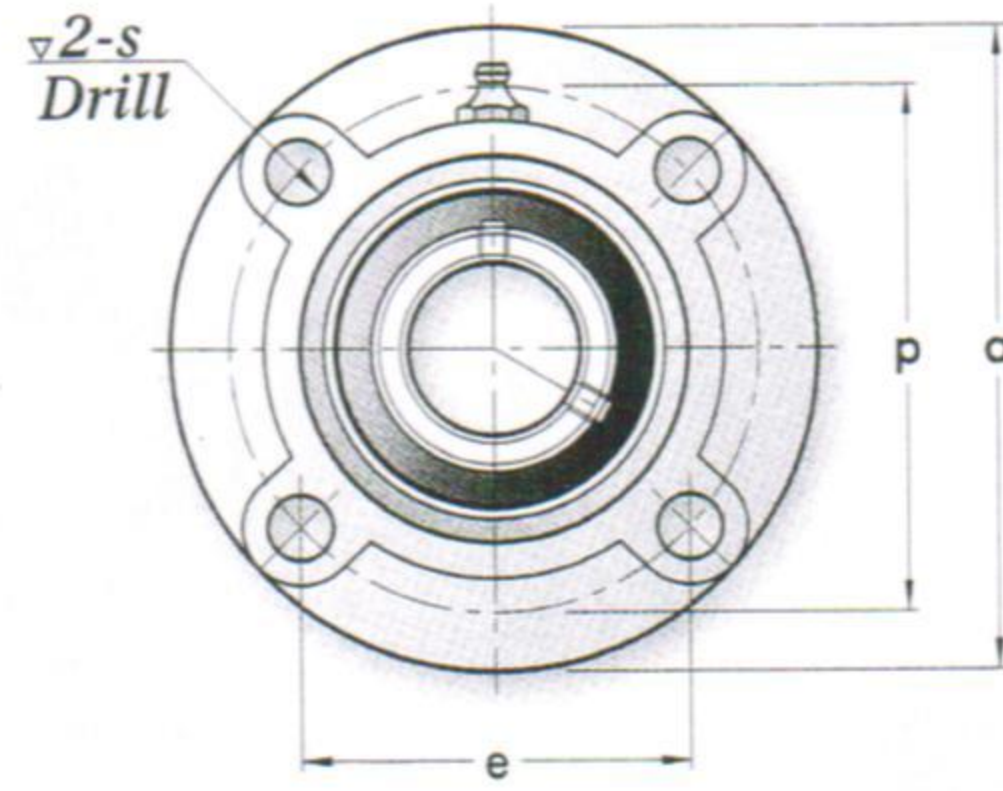


SR type Seal

Unit.No	Shaft.Dia		Dimensions (mm)														Load Rating (kgs)		Weight (kgs)	
	(mm)	in	o	g	p	q	s	b	k	e	a	w	i	l	h	Bi	n	Dynamic		Static
UCT 201	12	1/2	16	10	51	32	19	51	12	76	89	94	32	21	62	31	12.7	1010	630	0.79
UCT 202	15	9/16, 5/8	16	10	51	32	19	51	12	76	89	94	32	21	62	31	12.7	1010	630	0.77
UCT 203	17	11/16	16	10	51	32	19	51	12	76	89	94	32	21	62	31	12.7	1010	630	0.76
UCT 204	20	3/4	16	10	51	32	19	51	12	76	89	94	32	21	62	31	12.7	1010	630	0.74
UCT 205	25	7/8, 1	16	10	51	32	19	51	12	76	89	97	32	24	62	34	14.3	1100	710	0.82
UCT 206	30	1 1/8, 1 3/16	16	10	56	37	22	57	12	89	102	113	37	28	70	38.1	15.9	1540	1020	1.3
UCT 207	35	1 1/4, 1 3/8	16	13	64	37	22	64	12	89	102	129	37	30	78	42.9	17.5	2030	1400	1.6
UCT 208	40	1 1/2, 1 9/16	19	16	83	49	29	83	16	102	114	144	49	33	88	49.2	19	2300	1600	2.4
UCT 209	45	1 5/8, 1 3/4	19	16	83	49	29	83	16	102	117	144	49	35	87	49.2	19	2570	1810	2.4
UCT 210	50	1 7/8, 1 15/16	19	16	83	49	29	86	16	102	117	149	49	37	90	51.6	19	2760	2010	2.5
UCT 211	55	2, 2 1/8	25	19	102	64	35	95	22	130	146	171	64	38	106	55.6	22.2	3400	2550	4
UCT 212	60	2 1/4, 2 3/8	32	19	102	64	35	102	22	130	146	194	64	42	119	65.1	25.4	4100	3150	5.1
UCT 213	65	2 1/2	32	21	111	70	41	121	26	151	167	224	70	44	137	65.1	25.4	4500	3500	7
UCT 214	70	2 3/4	32	21	111	70	41	121	26	151	167	224	70	46	137	74.6	30.2	4900	3800	7.1
UCT 215	75	2 15/16, 3	32	21	111	70	41	121	26	151	167	232	70	48	140	77.8	33.3	5200	4200	7.5



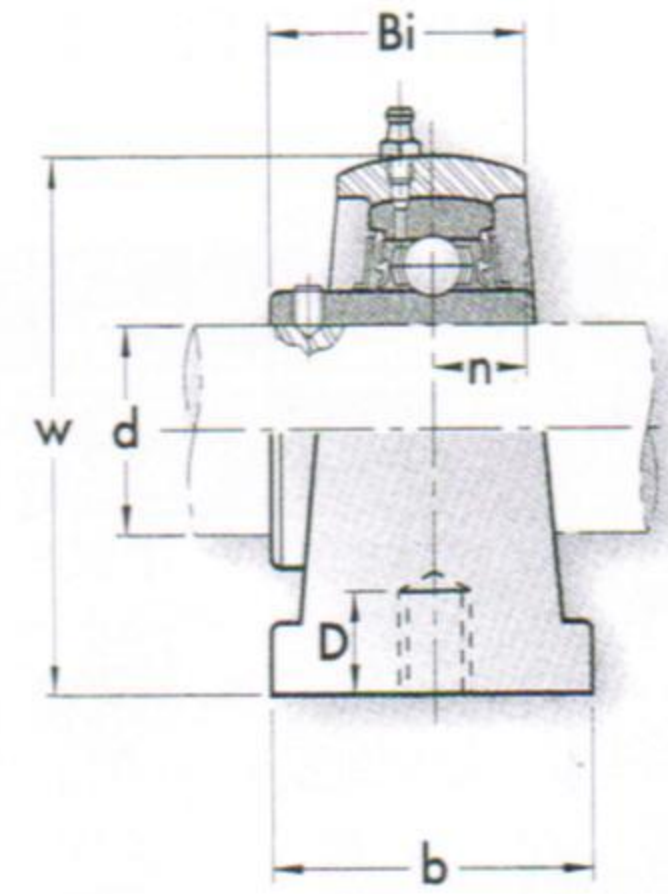
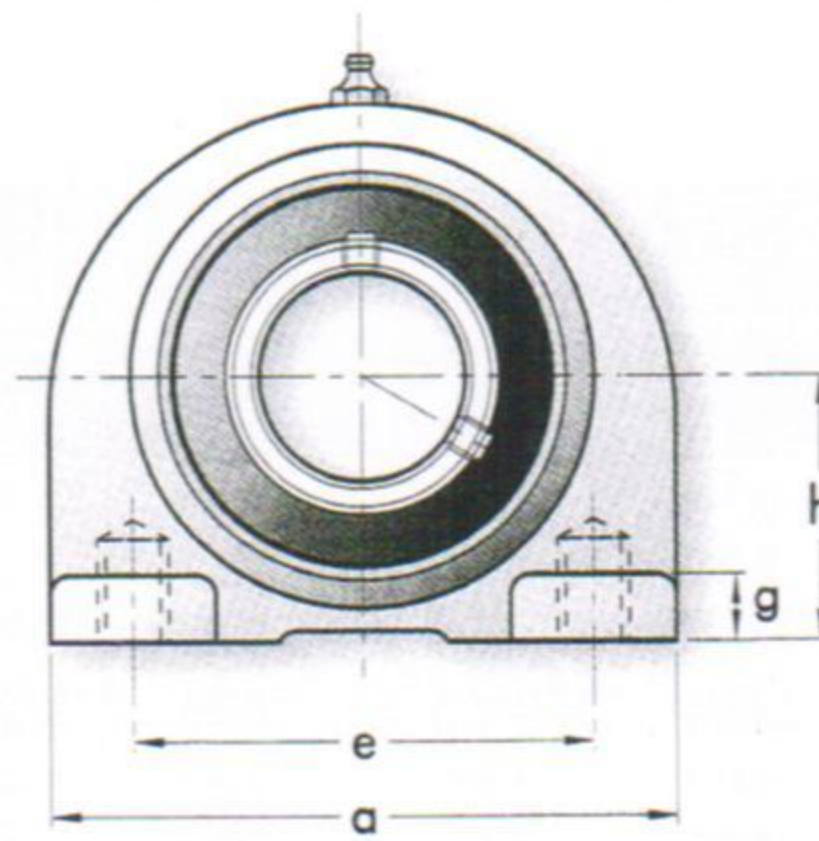
印ろう付丸フランジ形ユニット  
UCFC 200



Unit.No	Shaft.Dia		Dimensions (mm)													Bolt Size	Load Rating (kgs)		Weight (kgs)
	(mm)	in	a	p	e	i	l	s	j	k	g	f	z	Bi	n		Dynamic	Static	
UCFC 201	12	1/2	100	78	55.1	10	25.5	12	5	7	20.5	62	28.3	31	12.7	M10	1010	630	0.78
UCFC 202	15	9/16, 5/8	100	78	55.1	10	25.5	12	5	7	20.5	62	28.3	31	12.7	M10	1010	630	0.78
UCFC 203	17	11/16	100	78	55.1	10	25.5	12	5	7	20.5	62	28.3	31	12.7	M10	1010	630	0.78
UCFC 204	20	3/4	100	78	55.1	10	25.5	12	5	7	20.5	62	28.3	31	12.7	M10	1010	630	0.78
UCFC 205	25	7/8, 1	115	199	63.6	10	27	12	6	7	21	70	29.7	34	14.3	M10	1100	710	0.95
UCFC 206	30	1 1/8, 1 3/16	125	100	70.7	10	31	12	8	8	23	80	32.2	38.1	15.9	M10	1540	1020	1.4
UCFC 207	35	1 1/4, 1 3/8	135	110	77.8	11	34	14	8	9	26	90	36.4	42.9	17.5	M12	2030	1400	1.7
UCFC 208	40	1 1/2, 1 9/16	145	120	84.8	11	36	14	10	9	26	100	41.2	49.2	19	M12	2300	1600	2
UCFC 209	45	1 5/8, 1 3/4	160	132	93.3	10	38	16	12	14	26	105	40.2	49.2	19	M14	2570	1810	2.8
UCFC 210	50	1 7/8, 1 15/16	165	138	97.6	10	40	16	12	14	28	110	42.6	51.6	19	M14	2760	2010	3
UCFC 211	55	2 1/8	185	150	106.1	13	43	19	12	15	31	125	46.4	55.6	22.2	M16	3400	2550	4
UCFC 212	60	2 1/4, 2 3/8	195	160	113.0	17	48	19	12	15	36	135	56.7	65.1	25.4	M16	4100	3150	4.7
UCFC 213	65	2 1/2	205	170	120.2	16	50	19	14	15	36	145	55.7	65.1	25.4	M16	4500	3500	5.4
UCFC 214	70	2 3/4	215	177	125.1	17	54	19	14	18	40	150	61.4	74.6	30.2	M16	4900	3800	6.8

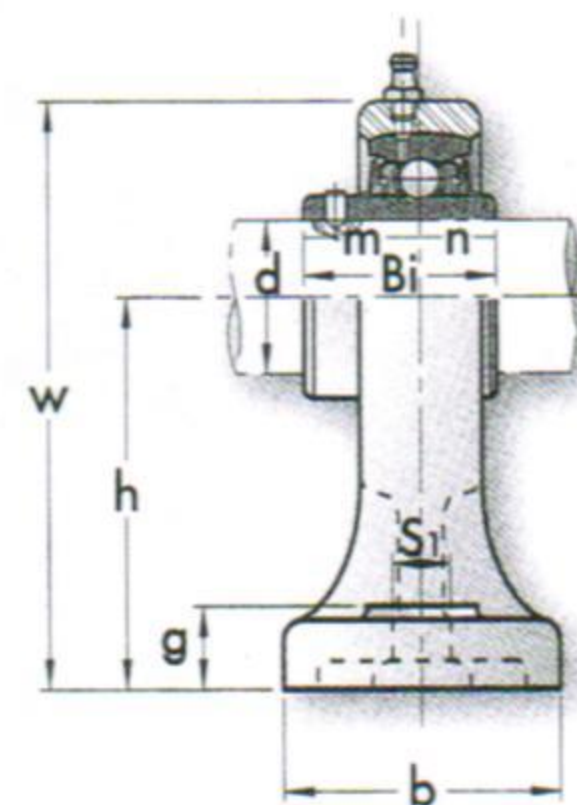
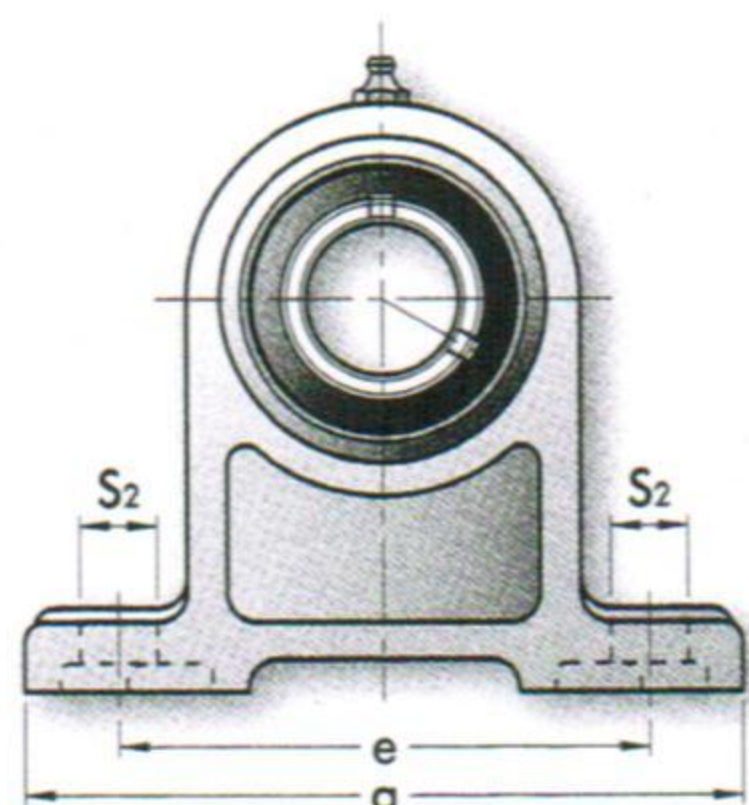


ピロー形ユニット  
UCPA 200



Unit.No	Shaft.Dia		Dimensions (mm)										Bolt Size	Load Rating (kgs)		Weight (kgs)
	(mm)	in	h	a	e	b	s	g	w	D	Bi	n		Dynamic	Static	
UCPA 201	12	1/2	30.2	76	52	40	10	11	62	15	31	12.7	M10	1010	630	0.64
UCPA 202	15	9/16, 5/8	30.2	76	52	40	10	11	62	15	31	12.7	M10	1010	630	0.64
UCPA 203	17	11/16	30.2	76	52	40	10	11	62	15	31	12.7	M10	1010	630	0.64
UCPA 204	20	3/4	30.2	76	52	40	10	11	62	15	31	12.7	M10	1010	630	0.64
UCPA 205	25	7/8, 1	36.5	84	56	45	10	12	72	15	34	14.3	M10	1100	710	0.83
UCPA 206	30	1 1/8, 1 3/16	42.9	94	66	50	14	12	84	18	38.1	15.9	M14	1540	1020	1.2
UCPA 207	35	1 1/4, 1 3/8	47.6	110	80	55	14	13	95	20	42.9	17.5	M14	2030	1400	1.7
UCPA 208	40	1 1/2, 1 9/16	49.2	116	84	58	14	13	100	20	49.2	19	M14	2300	1600	2.0
UCPA 209	45	1 5/8, 1 3/4	54.2	120	90	60	14	13	108	25	49.2	19	M14	2570	1810	2.2
UCPA 210	50	1 7/8, 1 15/16	57.2	130	94	64	16	14	116	25	51.6	19	M16	2760	2010	2.8

ピロー形ユニット  
UCPH 200



Unit.No	Shaft.Dia		Dimensions (mm)										Bolt Size	Load Rating (kgs)		Weight (kgs)
	(mm)	in	h	a	e	b	S <sub>1</sub>	S <sub>2</sub>	g	w	Bi	n		Dynamic	Static	
UCPH 201	12	1/2	70	127	95	40	13	19	15	101	31	12.7	M10	1010	630	0.96
UCPH 202	15	9/16, 5/8	70	127	95	40	13	19	15	101	31	12.7	M10	1010	630	0.96
UCPH 203	17	11/16	70	127	95	40	13	19	15	101	31	12.7	M10	1010	630	0.96
UCPH 204	20	3/4	70	127	95	40	13	19	15	101	31	12.7	M10	1010	630	0.96
UCPH 205	25	7/8, 1	80	140	105	50	13	19	16	114	34	14.3	M10	1100	710	1.2
UCPH 206	30	1 1/8, 1 3/16	90	165	121	50	17	21	18	130	38.1	15.9	M14	1540	1020	1.6
UCPH 207	35	1 1/4, 1 3/8	95	167	127	60	17	21	28	140	42.9	17.5	M14	2030	1400	2

## Load Rating Data

Bearing load ratings at various r.p.m. based on 500 hours minimum life 2.500 hours average life.

Bearing No.				R.P.M. <small>Lbs. Kgs.</small>										
UC	SA.CSA	SB.CSB	UCX	50	100	250	500	750	1000	1500	2000	2400	3600	5000
	201~3	201~3		1460 665	1150 520	840 380	670 305	580 265	530 240	470 215	430 195	400 180	340 155	310 140
201~4	204	204		1950 885	1540 700	1140 520	900 410	780 355	710 325	630 285	570 260	530 240	460 210	420 190
205	205	205		2120 965	1670 760	1240 565	980 445	850 385	720 325	680 310	620 280	580 265	510 230	450 205
206	206	206	X05	2950 1340	2330 1060	1730 785	1370 625	1200 545	1080 490	950 430	860 390	810 370	700 320	630 285
207	207	207	X06	3880 1765	3060 1390	2290 1040	1790 815	1580 720	1420 645	1250 570	1130 515	1070 485	930 425	—
208	208	208	X07	4400 2000	3470 1580	2590 1180	2030 930	1790 815	1610 730	1410 640	1280 580	1220 555	1060 480	—
209	209		X08	4960 2250	3910 1780	2890 1315	2290 1040	2001 915	1810 825	1590 725	1440 655	1350 615	—	—
210	210		X09	5310 2415	4180 1900	3110 1415	2460 1120	2150 975	1940 880	1700 770	1550 705	1470 670	—	—
211	211		X10	6560 2980	5170 2350	3830 1740	3040 1380	2650 1205	2400 1090	2110 960	1910 870	1800 820	—	—
212			X11	7900 3590	6270 2850	4620 2100	3670 1670	3200 1455	2900 1320	2540 1155	2300 1045	2170 985	—	—
213			X12	8670 3940	6880 3125	5070 2305	4020 1825	3510 1595	3190 1450	2790 1270	2530 1150	—	—	—
214			X13	9940 4520	7490 3405	5520 2510	4380 1990	3820 1735	3470 1575	3040 1380	2760 1225	—	—	—
215			X14	10210 4640	8100 3680	5850 2660	4740 2155	4060 1845	3690 1675	3290 1495	2930 1330	—	—	—
216			X15	10980 4990	8710 3960	6420 2920	5090 2315	4450 2020	4040 1835	3530 1605	—	—	—	—